

# OPERATING INSTRUCTIONS



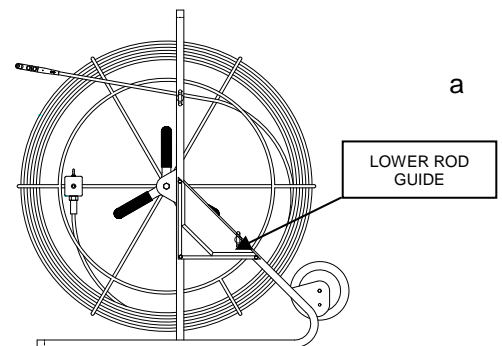
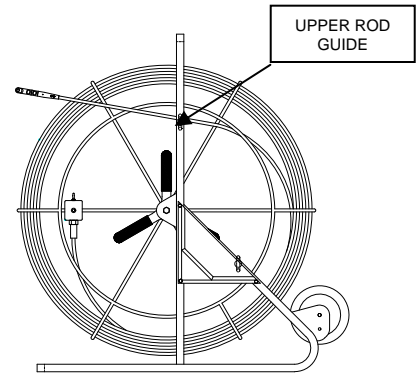
**Design &  
Manufacturing Ltd.**

**SERIES 53700 DETECTABLE RUF ROD**



## INSTALLATION

1. Feed the rod through the lower rod guide or upper rod guide depending on the location and orientation of the duct with respect to the rodder.
2. For horizontal runs several feet above ground level, use the upper rod guide. For horizontal runs slightly above or below ground level, use the lower rod guide. For runs several feet below ground level where the rod must be fed vertically down a manhole, use the upper rod guide.
3. Feed the rod manually into the duct through to the far end of the duct. Use the brake handle as required to prevent rotation of the cage.
4. Attach the direct lead from a locator transmitter to either the male or female banana clip on the junction box. Attach the other ground lead to ground stake.
5. Set the receiver to the lowest frequency and trace out the path of the detectable rod. If the signal is difficult to trace, change to a higher transmitter frequency.



## SAFETY



1. Never bend the fiberglass rod around a corner with a radius less than the Minimum Bend Radius specified in the Operating Specifications.
2. A large amount of energy is stored in the coiled fiberglass rod. Always maintain control over the free end of the rod when the brake is not applied.
3. Be prepared for the unexpected. Use recognized safety practices and wear recognized safety equipment.

### EXTREME DANGER



**NEVER USE THIS DETECTABLE RODDER IN A LIVE ELECTRICAL ENVIRONMENT, ELECTRICAL SHOCK OR DEATH MAY RESULT IF CONDUCTIVE ROD TOUCHES EXPOSED CIRCUIT.**